

G20

HIGH SPEED 7000 rpm.
-inverter-

GRINDER

APPLICABLE IN

Patisseries
Spice and herb shops
Food inspection laboratories
Healing plant dealers
Dessert makers
Pet-food and fish-food producers.

USED FOR

Grinding
Homogenizing
Mixing
Pulverising
Powdering

Corn flour
Wheat flour
Coffee
Sugar
Hazelnuts
Walnuts
Almonds
Cinnamon
All spices

STANDARD FEATURES

- ◆ Grinding to the desired size.
- ◆ Magnetic safety system in the cover and the tank.
- ◆ Simple to use, fast in operation.
- ◆ Grinding without damaging the material's characteristics.
(The oil and the sap stays in the material)
- ◆ Variable speed feature.
- ◆ All parts of the machine meet hygiene standards.
- ◆ Easy to clean thanks to the detachable bowl.
- ◆ The machine doesn't require greasing or any other maintenance.

-inverter-^{inside}

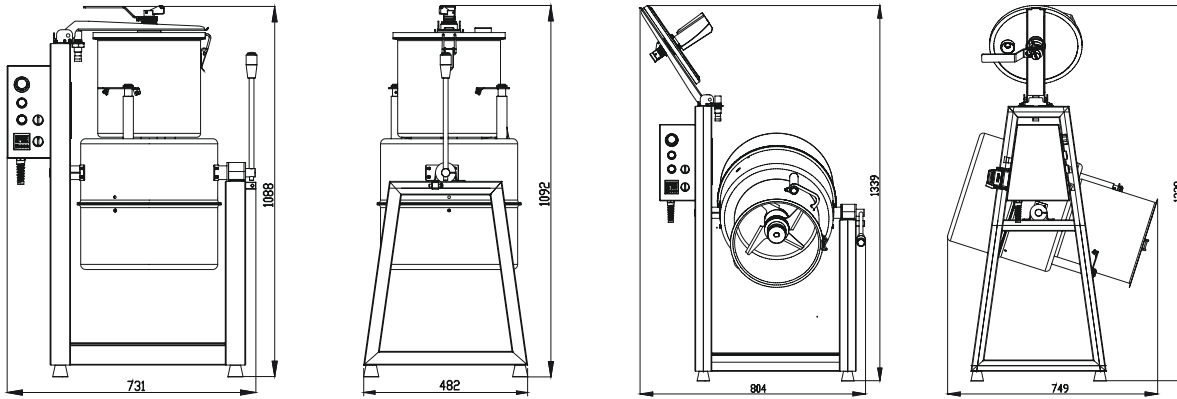
CE

TECHNICAL SPECS

G20

Model	Motor	Rpm.	Capacity	Electric Standards(US)	Electric Standards(EU)
G20	5,5 kW	3000-7000 rpm.	20 lt.	220V 60Hz 3ph	400V 50Hz 3ph

DIMENSIONS [mm.]



CAPACITY CHART

Task	Metric	Imperial
Walnut, Nut, Peanut	60 kg / hr.	130 lbs / hr.
Fish-feed, Bird Food Prep.	60 kg / hr.	130 lbs / hr.
Ground Pepper	60 kg / hr.	130 lbs / hr.
Dried Curds	60 kg / hr.	130 lbs / hr.
Bread Grinding for meatballs	60 kg / hr.	130 lbs / hr.
Dried Bread Crumbs	40 kg / hr.	90 lbs / hr.
Spices and Herbs	40 kg / hr.	90 lbs / hr.
Corn Flour Prep.	40 kg / hr.	90 lbs / hr.
Powdered Sugar	20 kg / hr.	45 lbs / hr.
Rice Flour Prep.	25 kg / hr.	55 lbs / hr.

YAZICILAR®

1191 Sokak. No:8 35414 Sarnic / Izmir / TURKEY
 Tel: +90 (232) 2815011 Fax: +90 (232) 2815017
www.yazicilar.com